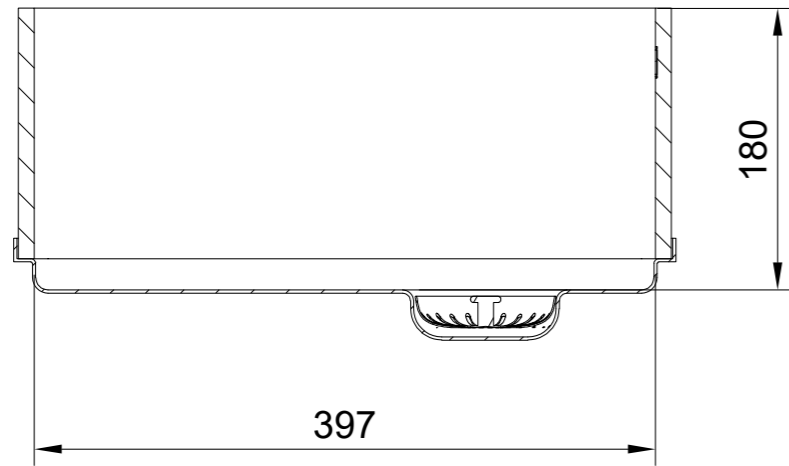
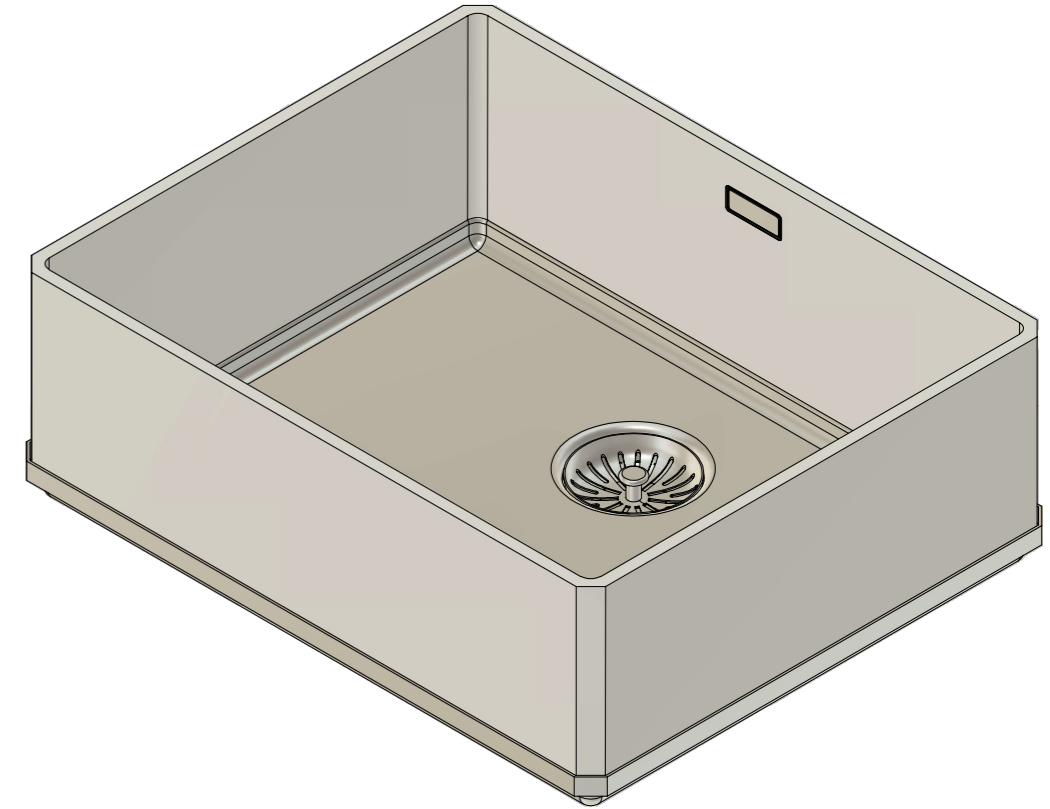
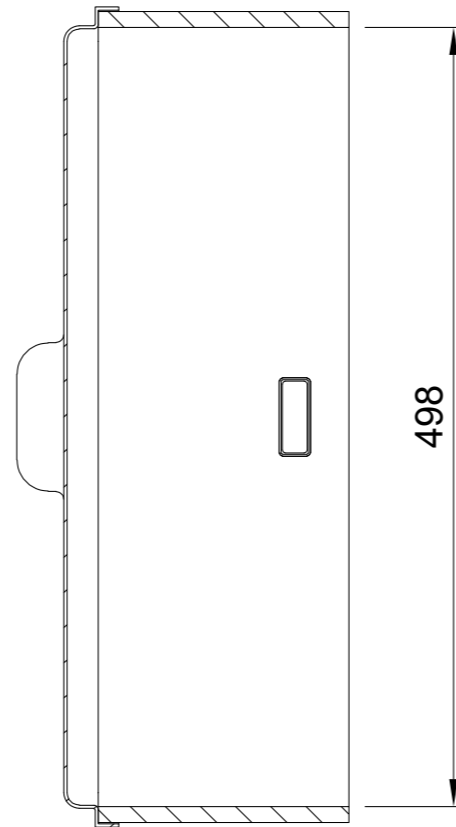


B-B (1:5)



A-A (1:5)



A



B




A



B



Maattolerantie ± 2mm

Dept.	Technical reference	Created by Maarten Neeb 12-11-2021	Approved by	
		Document type	Document status	
		Title Rome 500 Keukenbak	DWG No.	
		Rev.	Date of issue	Sheet 1/1